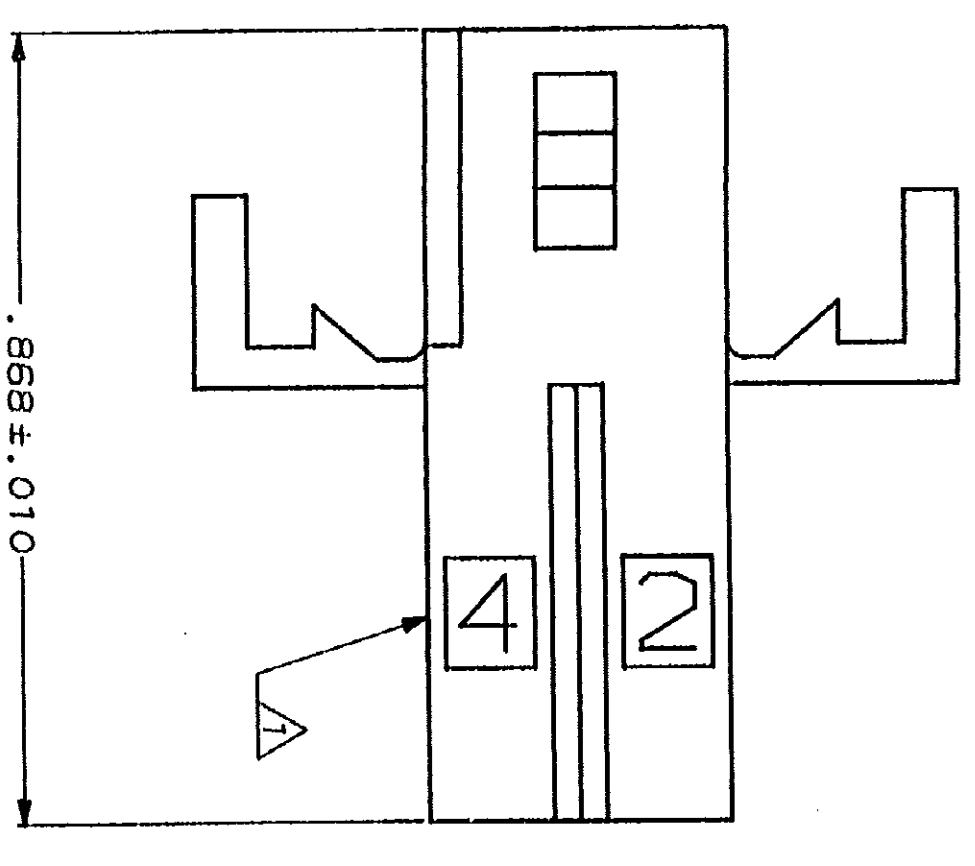
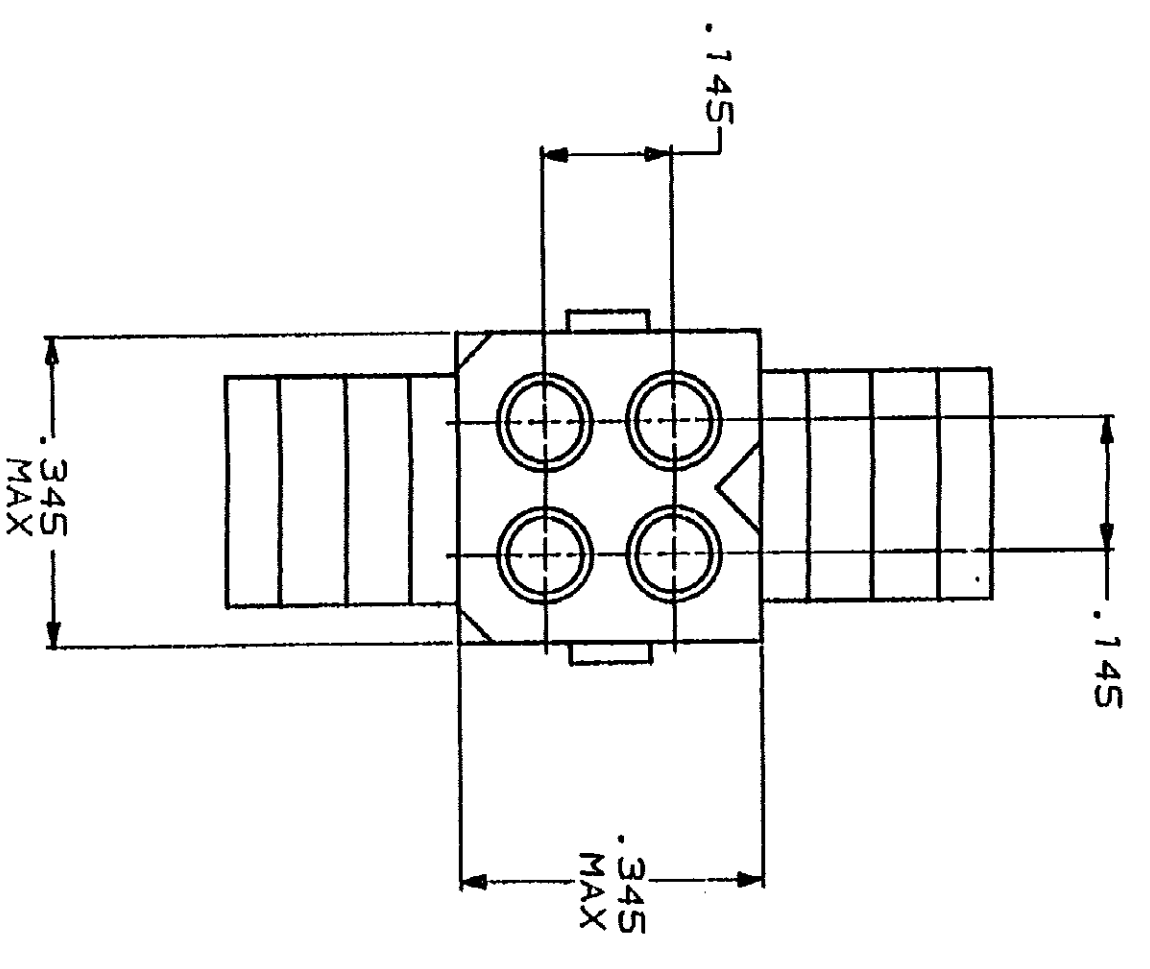
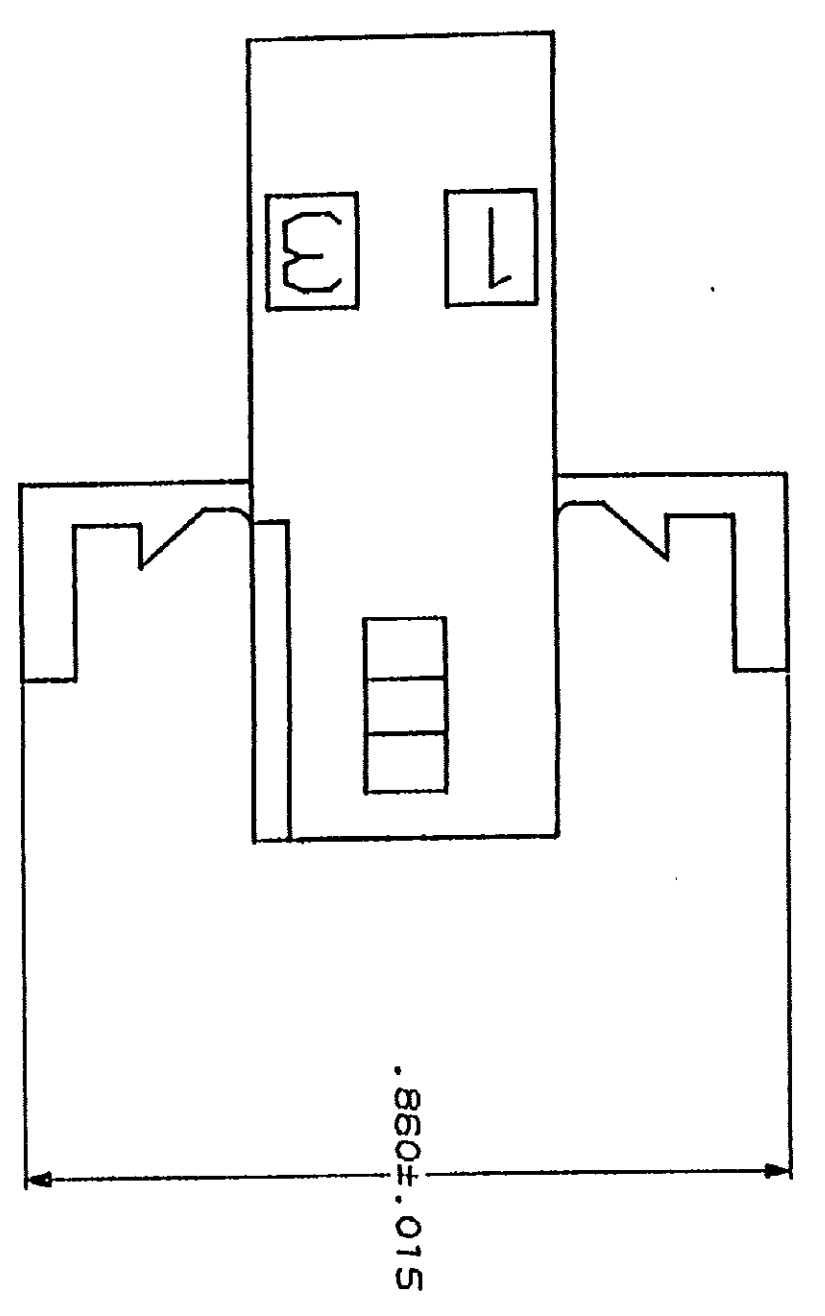
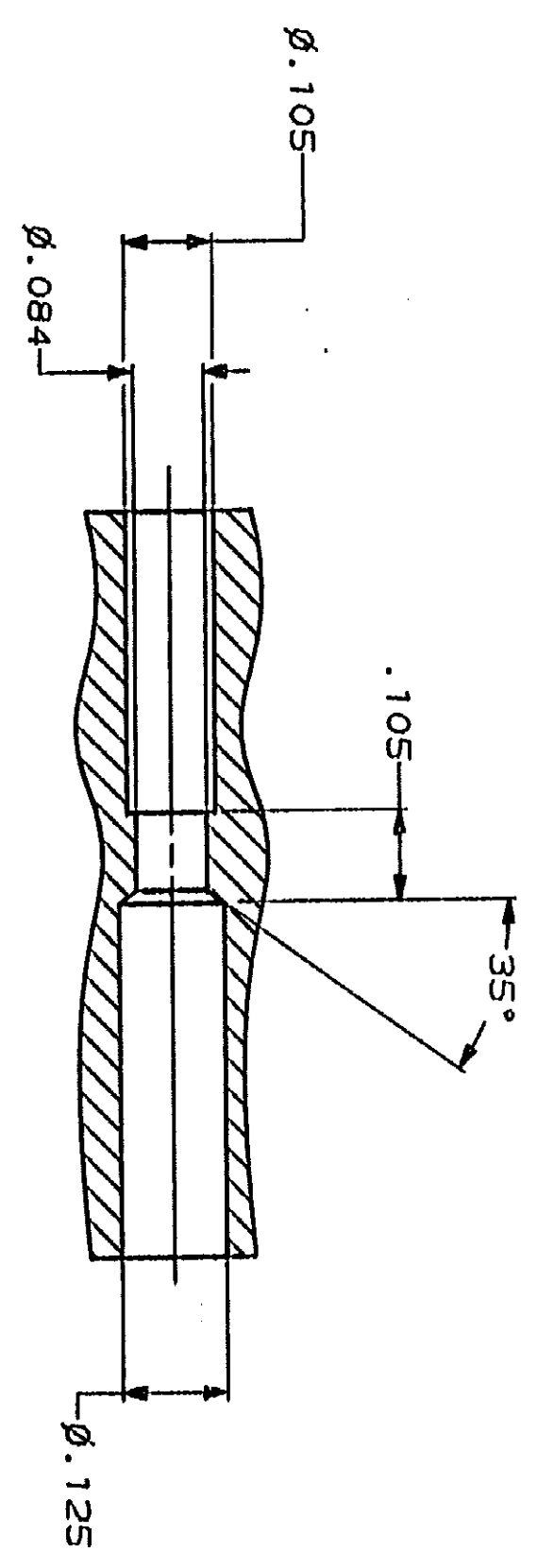
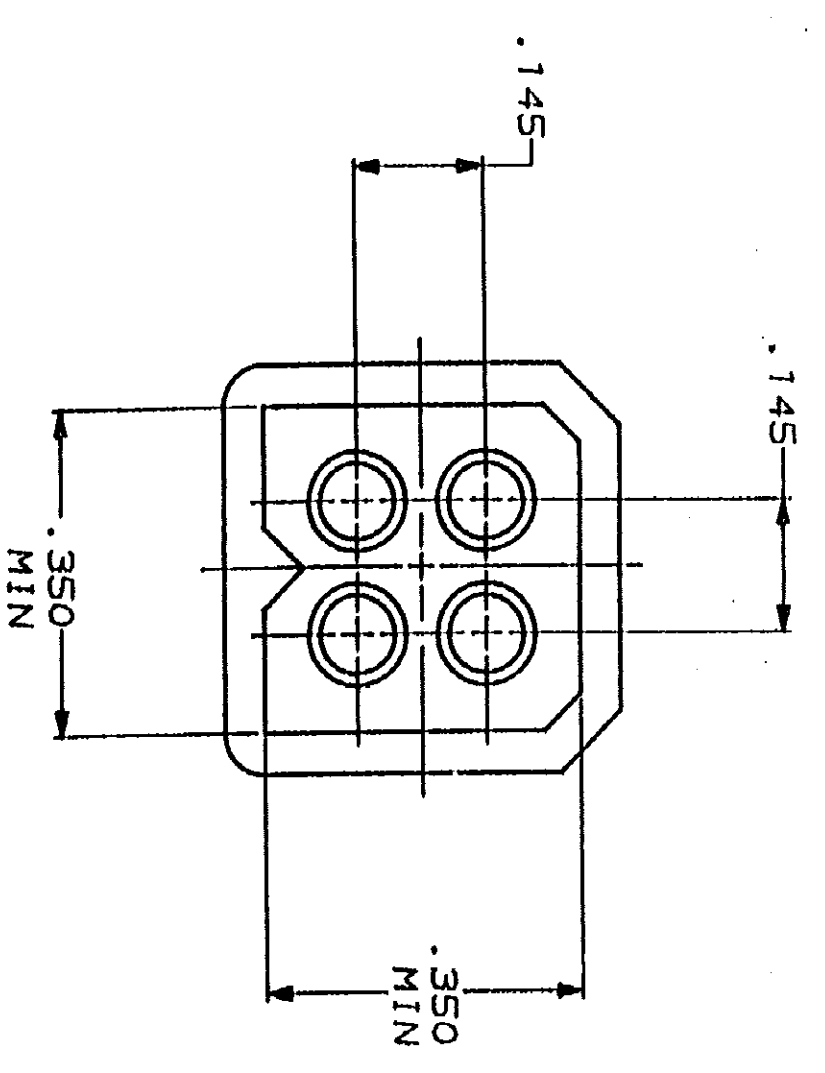


DRAWING MADE IN THIRD ANGLE PROJECTION
 THIS DRAWING IS UNPUBLISHED. RELEASED FOR PUBLICATION
 BY AMP INCORPORATED. ALL INTERNATIONAL RIGHTS RESERVED.
 © COPYRIGHT 1983

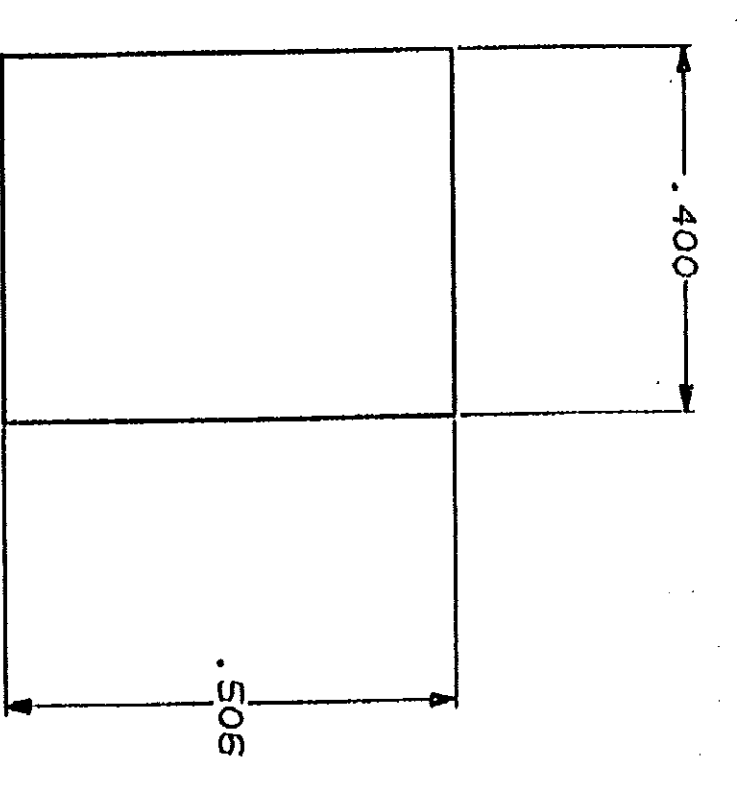
REV	DATE	APPROV	DESCRIPTION
1	8-11-82	55	ADDED METRIC CONVERSION



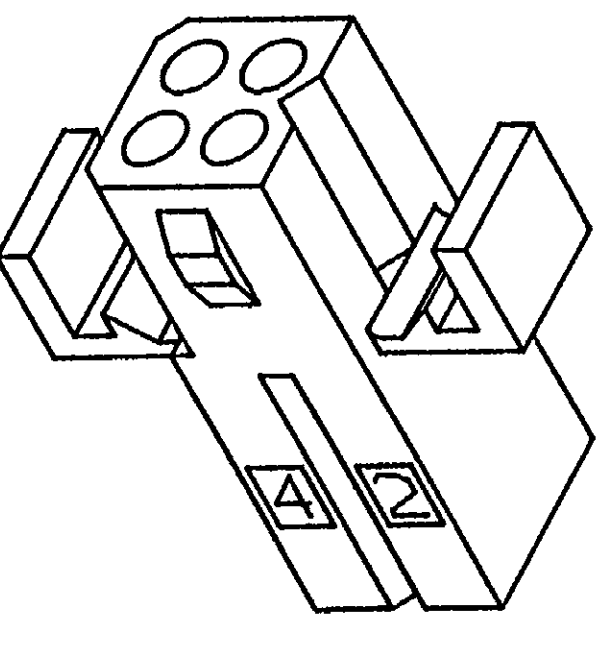
△ AMP LOGO LOCATED THIS SURFACE.



TYPICAL RECEPTACLE CAVITY SECTION
 (DIMENSIONS REFERENCE ONLY)



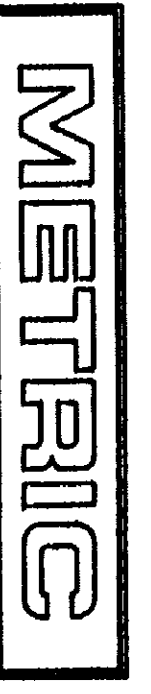
RECOMMENDED CUTOUT FOR
 .062 MAX THICK PANEL



3-DIMENSIONAL MODEL
 NTS

IN	MM	IN	MM
.145	3.68	.868	22.05
.062	1.57	.860	21.84
.060	1.52	.506	12.85
.015	0.38	.400	10.16
.010	0.25	.350	8.89
.005	0.13	.345	8.76

CONVERSION TABLE



DO NOT SCALE PRINT. UNLESS SPECIFIED IN CHANGES TOLERANCES ON: 2 PLG DEC ± .005 3 PLG DEC ± .005 ANGLES MATERIAL NYLON, UL 94V-2, NATURAL	DR K. WHITAKER 11-3-80 CHK R. SWINE 11-3-80 APPD R. CARSON 11-4-80 PRODUCT SPEC	AMP INCORPORATED RECEPTACLE, PANEL MOUNT, 4 CIRCUIT, .062 PIN AND SOCKET	SIZE D 00779	SCALE 5:1
PART NO 770441-1		DRAWING NO 770441		
FINISH NATURAL		APPLICATION SPEC		
WEIGHT		SHEET 1 OF 1		

CUSTOMER DRAWING